



# B2008-9993 Barbie Trail Rider

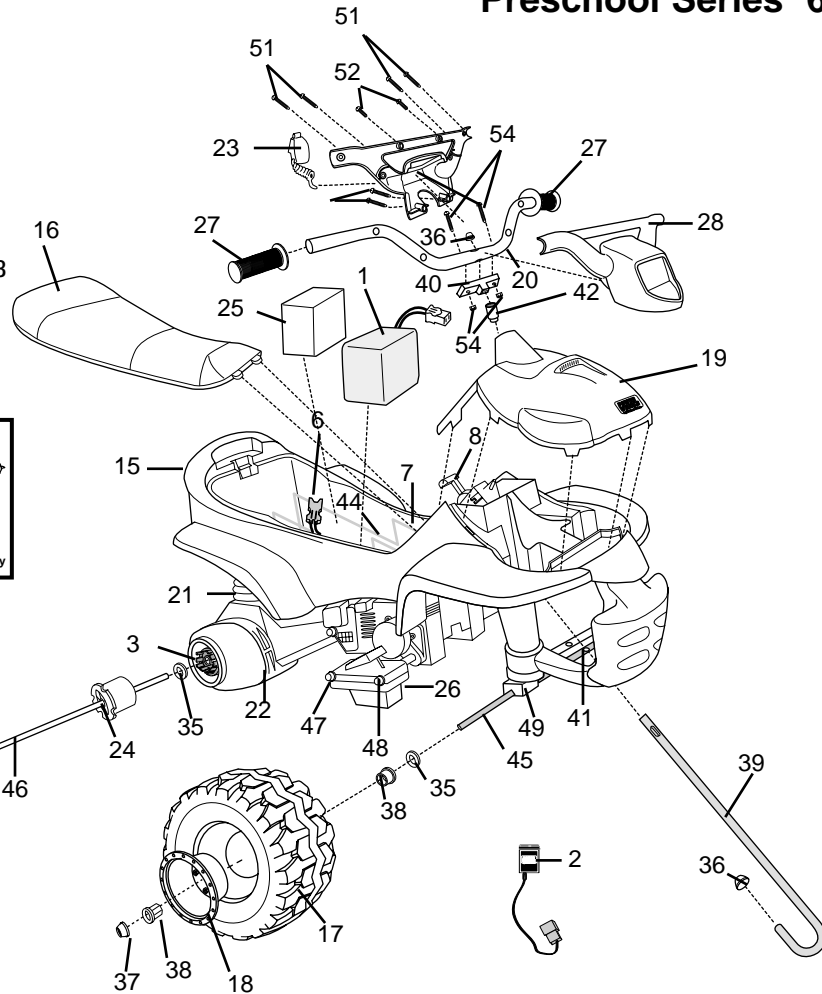
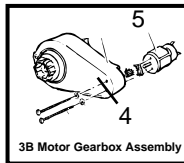
Preschool Series 6 Volt

Age Range: 3-6 Years  
 Weight Limit: 65 Lbs  
 Surfaces: Hard and Grass  
 Speed: 3.5 mph forward  
 and reverse  
 Colors: White Body  
 Pink Wheels  
 Purple trim  
 Intro: 2002  
 Suggested Retail: \$159.99  
 Box Dimensions: 40.25 x 24.875 x 19.18  
 Warranty

1 Year bumper to bumper  
 6 Months for battery

Rev. 12-30-02

3



Item No.	Description	Part No.	Qty.	Item No.	Description	Part No.	Qty.	Item No.	Description	Part No.	Qty.
<b>Working / Electrical Parts</b>			<b>Hardware / Metal Parts</b>			<b>Parts Not Shown</b>					
1	6 Volt Battery (internal fuse)	00801-0712	1	35	7/16" Washer	0801-0196	4		Large Parts Bag	B2008-9259D	1
2	Charger	00801-0974	1	36	Cap Nut .437 Black	0801-0226	6		Small Parts Bag	3800-7126	1
3	<b>Motor Gearbox Assembly</b>	<b>74180-9519</b>	2	37	Cap Nut .437 White	0801-0227	?		Hardware Bag	B2008-9269	1
4	<b>Gearbox W/out Motor</b>	<b>74550-9279</b>	2	38	Hex Bushing	73233-2559	4		Owner's Manual	B2008-0920	1
5	<b>Motor Pinion Assembly</b>	<b>74580-9539</b>	2	39	Steering Column	73690-4249	1		Label Sheet	B2008-0310	1
6	<b>Motor Harness Assembly</b>	<b>78476-9799</b>	2	40	Handlebar Neck	73690-4289	1		Cap Nut Tool	78640-2629	1
7	Harness Shifter	78476-9789	1	41	Crossbar	73690-4649	1				
8	Shifter with Harness	B2008-9509	1	42	Steering Neck Bushing	74110-2129	1				
<b>Plastic / Other Parts</b>				43	Bottom Bushing	74110-2639	1				
15	Body	N/A	1	44	Battery Retainer	74110-4429	1				
16	Seat	B2008-2309	1	45	Front Axle	74110-4509	1				
17	Wheel	74558-2469	4	46	Rear Axle	74110-4549	1				
18	Hub Cap	74590-2579	4	47	Motor Rod Upper	74110-4559	1				
19	Cowling	3800-7084	1	48	Motor Rod Lower (No Sub)	74110-4569	1				
20	Handle Bar	74282-4219	1	49	Steering Linkage Assm.	74110-9239	1				
21	Motor Housing Top	73690-2149	1	50	7/16" Round Bushing (Black)	74550-2689	2				
22	Motor Housing Bottom	73690-2159	1	51	Screw #6 x 1" screws		6				
23	Microphone	74110-9479	1		N/A Order Hardware bag						
24	Wheel Driver	74460-2249	2	52	Screw #6 x 1/2		2				
25	Foam Battery Spacer	75560-0400	1		N/A Order Hardware bag						
26	Footboard Support	76262-4439	1	53	#10 Lock nuts		2				
27	Handgrip	B2008-2229	2		N/A Order Hardware bag						
28	Handbar Assm.	3800-7085	1	54	Screw #10 x 1 5/8"		2				
					N/A Order Hardware bag						

N/A = Not Available

Items in **bold & underlined** print are only to be ordered by a service center.