

This product is affected by the PW recall announced Oct 1998. Please confirm that the product is modified or remediated in accordance with policy.

76174-9993 / 85150

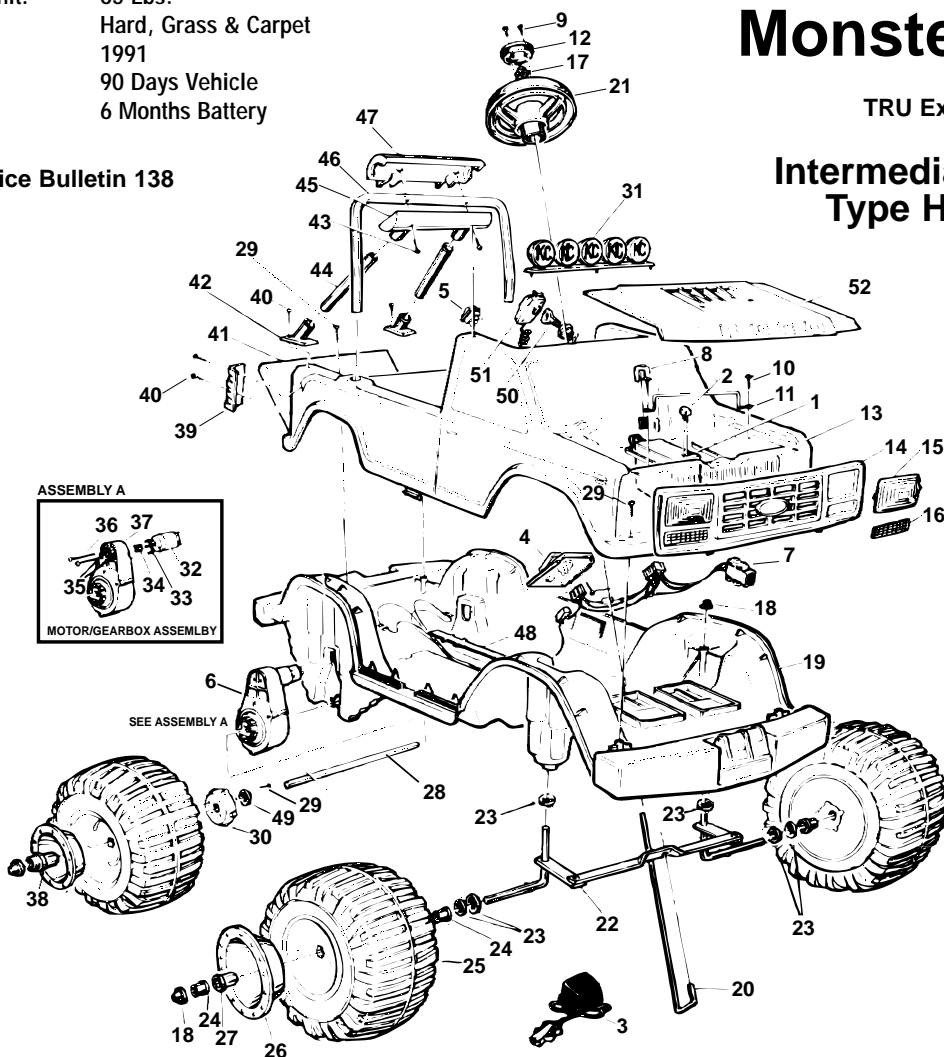
Monster 4X4™

TRU Exclusive

Age Range: 3-6 Yrs.  
 Weight Limit: 65 Lbs.  
 Surfaces: Hard, Grass & Carpet  
 Intro: 1991  
 Warranty: 90 Days Vehicle  
 6 Months Battery

Service Bulletin 138

Intermediate Series  
 Type H 6 Volt



REV. 5-23-00 Pav

Item No.	Description	Part No.	Qty.	Item No.	Description	Part No.	Qty.	Item No.	Description	Part No.	Qty.
1	** Battery	0801-0431	1	22	Steering Linkage	78670-4259	1	43	#8 x 1-1/2" Screw	0801-0308	2
2	Thermal Fuse	0801-0153	1	23	7/16" Washer	0801-0196	4	44	Roll-Bar Support	78670-4239	2
3	** Charger, Super 6 TM	0801-0237	1	24	Round Bushing	74550-2689	2	45	Roll-Bar Cover (Lower)	78670-2189	1
4	Footboard Assembly	76817-9159	1	25	Wheel	76188-2459	4	46	Roll-Bar	78670-4219	1
5	** Switch (Fwd./Rev.)	80014-0073	1	26	Hubcap	74590-2579	4	47	Roll-Bar Cover (Upper)	78670-2179	1
6	Motor/Gearbox Assy.	76804-9519	2	27	Hex Bushing	73233-2559	4	48	Wiring Harness Cover	78471-2459	1
7	** Wiring Harness/Footboard Assy.	80064-0110	1	28	Rear Axle	80046-0013	1	49	Wheel Spacer	80052-0003	2
8	Battery U-Clip	74570-2669	1	29	#10 x 1/2" Phillips Screw	0801-0255	2	50	Key/Housing Assembly	73233-2439	1
9	#8 x 7/8" Phillips Plascrow	80006-0008	2	30	Wheel Driver	73233-2239	2	51	Microphone (Black)	73233-9479	1
10	#8 x 7/8" Trusshead Screw	0801-0228	6	31	KC Light Group	78640-9239	1	52	Hood	80031-0008	1
11	Battery Retainer	76181-4419	1	32	Motor w/ Pinion	74580-9539	2	<b>PARTS NOT SHOWN</b>			
12	Steering Wheel Cap	74550-2729	1	33	D Lock Washer	0801-0329	2		Switch Hole Cover	80001-0092	1
13	Body (Upper)	80005-0038	1	34	Motor Drive Gear	74550-2269	2		Twist Lock Clip	78670-0100	1
14	Grill	80065-0007	1	35	Star Washer	0801-0330	4		Screw For Hood	0801-0219	1
15	Headlight Lens	80030-0007	2	36	Motor Bolts	0801-0269	4		Literature Bag	80044-0148	1
16	Parking Lens	78640-2759	2	37	3A Gearbox w/Insert	74580-9269	2		Decal Sheet	80017-0031	1
17	.354 Cap Nut (Black)	0801-0215	1	38	Hex Bushing w/Extension	80009-0001	2		Antenna	80002-0002	1
18	.437 Cap Nut (Black)	0801-0214	6	39	Taillight	78640-2279	2		Use & Care	76174-CCCC	1
19	Body (Lower)	80005-0026	1	40	#8 x 1/2" Plascrow	0801-0202	6				
20	Steering Column	78471-4239	1	41	Tailgate	80057-0003	1				
21	Steering Wheel	74440-2379	1	42	Roll-Bar Bracket Set	78670-2199	1				

\*\*Service Bulletin 138

