

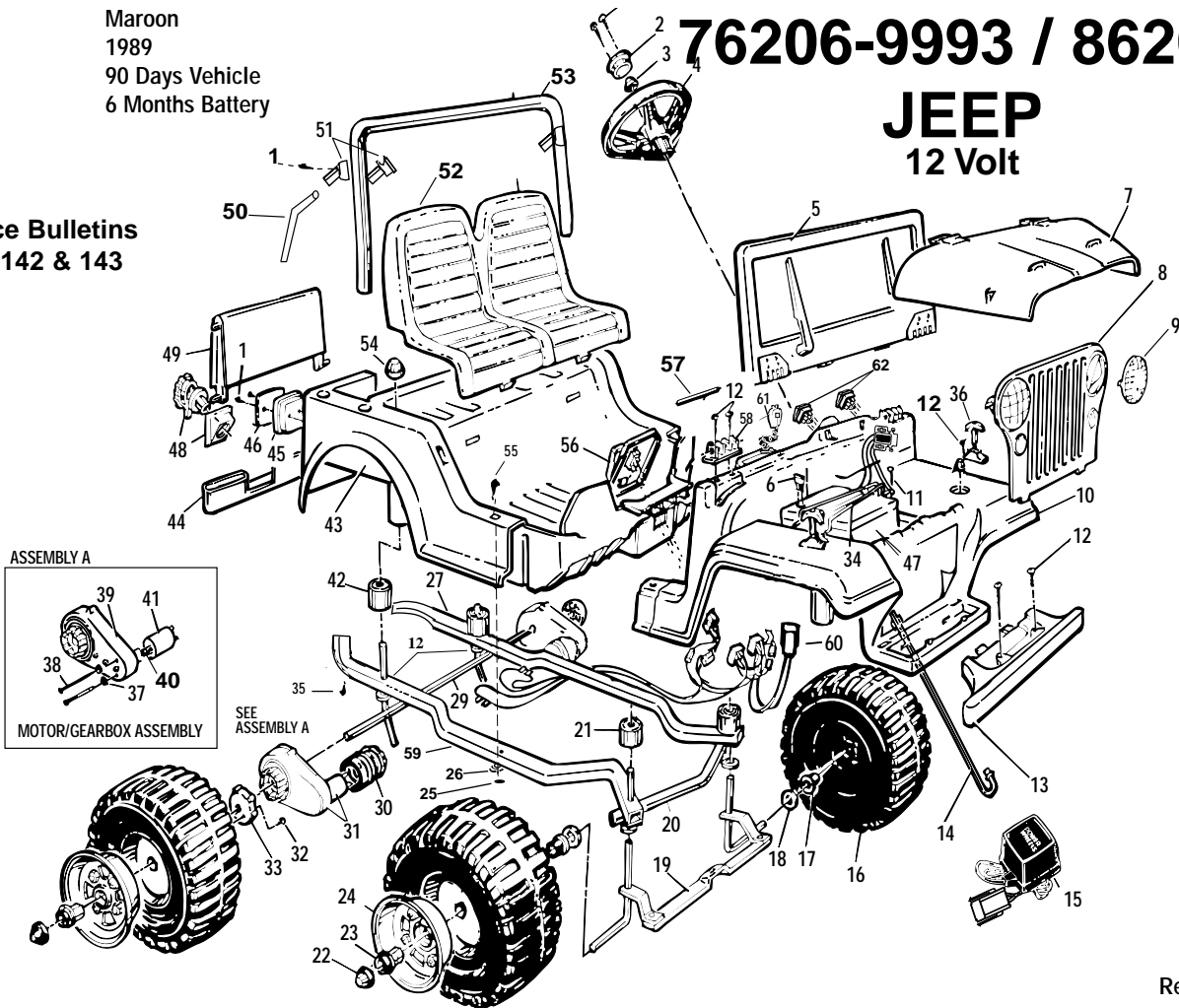
Age Range: 3-7 Yrs.
 Weight Limit: 130 Lbs.
 Surfaces: Hard, Grass & Hills
 Speed: 2.5 / 5.0 MPH Forward
 2.5 MPH Reverse
 Colors: Maroon
 Intro: 1989
 Warranty: 90 Days Vehicle
 6 Months Battery

This product is affected by the PW recall announced Oct 1998. Please confirm that the product is modified or remediated in accordance with policy.

76206-9993 / 86200

JEEP
 12 Volt

Service Bulletins
 138, 142 & 143



Rev. 5-24-00 Pav

Item No.	Description	Part No.	Qty.	Item No.	Description	Part No.	Qty.	Item No.	Description	Part No.	Qty.
1	1" Plastilock Screw	0801-0224	10	27	Left Siderail	74540-4119	1	52	Seat	76817-2309	1
2	Steering Wheel Button	74550-2729	1	28	5/16" Washer	0801-0253	2	53	Roll-Bar	76229-4249	1
3	.354 Cap Nut	0801-0215	1	29	Rear Axle Asmby.	76817-4559	1	54	.354 Retainer w/o Body	0801-0252	2
4	Steering Wheel	74440-2379	1	30	Motor Cover	73233-2489	2	55	Carriage Bolt (Body)	80006-0111	2
5	Windshield Assy (only Avail in bright red)	73233-9639	1	31	Motor Gearbox Asmby..	76817-9519	2	56	***Footboard Asmby..	76817-9159	1
6	30 Amp Fuse	0801-0229	2	32	Screw for Driver	0801-0255	2	57	*Windshield Hinge Pin	76819-4419	2
7	Hood (only avail in bright red)	76817-2359	1	33	Driver	73233-2239	2	58	*Windshield Hinge	73233-2779	2
8	Grill Asmby. (N/A)	80065-0008	1	34	Battery Retainer	74540-4419	1	59	Right Siderail	74540-4129	1
9	Headlight / Guard Set	73233-9339	1	35	#8 x 1-1/2" Plascrew	0801-0308	2	60	***Main Wiring Harness Kit	71234-CS89	1
10	Front Body (N/A)	80005-0044	1	36	Hoodlatch Asmby..	744509559A	2		(main harness kit contains all switches & wiring)		
11	#10 x 1" Screw	0801-0220	1	37	Star Washer	0801-0331	4	61	Microphone	73233-9479	1
12	#8 x 1/2" Plascrew	0801-0202	14	38	Motor Bolts	0801-0300	4	62	**Control Switch (original)	80014-0073	2
13	Front Bumper	73233-2519	1	39	Gearbox Only	74560-9269	2		(control switch for use w/white connectors)0801-0148		2
14	Steering Column	74560-4239	1	40	Motor Drive Gear	76817-2299	2	PARTS NOT SHOWN			
15	**12 Volt Charger	0801-0225	1	41	Motor	76229-0640	2		Key Housing Asmby.	73233-2439	1
16	Wheel	73243-2459	4	42	Rear Bushing	73233-2549	2		Literature Bag (N/A)	80034-0448	1
17	Front Axle Bushing	74550-2689	2	43	Rear Body (N/A)	80005-0036	1		Main Decal	80017-0019	1
18	7/16" Washer	0801-0196	4	44	Rear Bumper	74440-2039	1		Parking Lens Decal	80017-0107	2
19	Steering Linkage	76817-4229	1	45	Taillight Housing Set	73233-2759	1		Decal, Radiator (N/A)	80017-0422	1
20	Front Bumper Support	76817-4159	1	46	Taillight Lens Set	73233-2279	1		Use & Care Manual	76206-CCCC	1
21	Front Bushing	73233-2539	2	47	**Battery	0801-0432	2		**Harness Kit w/ Switches	71234-CS89	1
22	.437 Cap Nut	0801-0214	6	48	Gas Cap	73233-9249	1				
23	Hex Bushing	73233-2559	4	49	Tailgate (only avail in bright red)	73243-2129	1				
24	Hubcap	74560-2579	4	50	Roll-bar Support Tube	80049-0025	2				
25	Lock Nut	80040-0017	2	51	Roll-Bar Bracket Set (original)	80049-0011	2				
26	Washer 1-1/8" (N/A)	80061-0027	2		R.B.Bracket Set (after 8-27-90)	73233-2179					

* Service Bulletin 143

N/A = Not Available

** See service Bulletin 138

***Service Bulletin 142

