



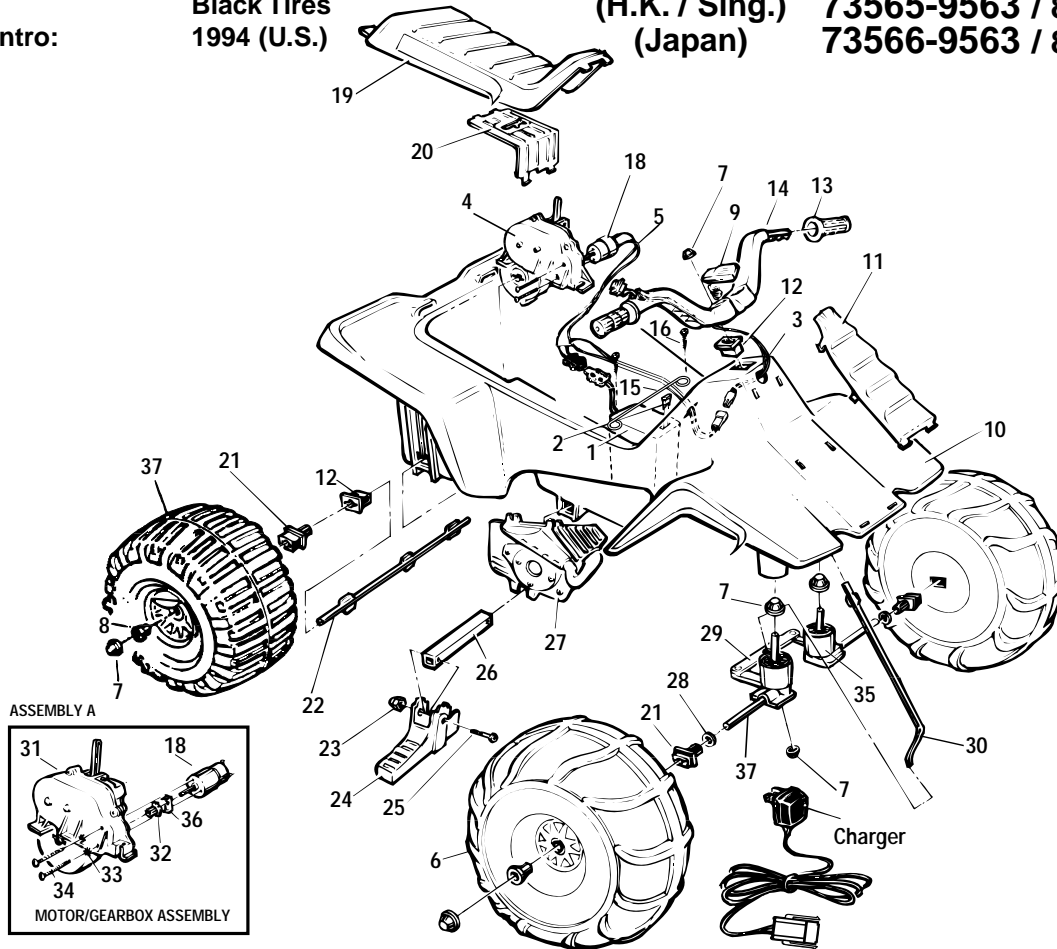
PARTS ≡ PIECES ≡ TEILEN ≡ PIEZAS

LIL SUZUKI®

Age Range: 1-3 Yrs.
 Weight Limit: 40 Lbs.
 Surfaces: Hard, Grass & Carpet
 Speed: 1 MPH
 Colors: Yellow Body
 Blue Seat & Handlebars
 Black Tires
 Intro: 1994 (U.S.)

(Generic Int'l)
 (Europe)
 (U.K.)
 (Can / Mex)
 (Australia)
 (H.K. / Sing.)
 (Japan)

73569-9563 / 83569 / AX3569
 73561-9563 / 8356901 / AX3561
 73562-9563 / 8356902 / AX3562
 73563-9563 / 8356903 / AX3563
 73564-9563 / 8356904 / AX3564
 73565-9563 / 8356905 / AX3565
 73566-9563 / 8356906 / AX3566



Rev. 12-21-01 Pav

Item #	Description	Part No.	Quantity	Item #	Description	Part No.	Quantity	Item #	Description	Part No.	Quantity
Article No.	Description	Pièce No.	Quantité	Article No.	Description	Pièce No.	Quantité	Article No.	Description	Pièce No.	Quantité
Warennr	Beschreibung	Tiel-Nr.	Menge	Warennr	Beschreibung	Tiel-Nr.	Menge	Warennr	Beschreibung	Tiel-Nr.	Menge
Item Nº	Descripción	Pieza Nº	Cantidad	Item Nº	Descripción	Pieza Nº	Cantidad	Item Nº	Descripción	Pieza Nº	Cantidad
1	Battery 6 Volt	0801-0431	1	19	Seat (NLA)	80067-0037	1	37	Rear Wheel	73237-2459	2
2	25 Amp Fuse Kit (2)	0801-0447	1	20	Motor Cover	73560-9489	1	PARTS NOT SHOWN			
3	Switch Assm.	78560-2799	1	21	Bushing w/Long Extension	78560-2659	4	Literature Bag	80034-0542	1	
4	#5 Motor Gearbox Assm	74504-9519	1	22	Rear Axle	74504-4539	1	Decal Sheet	73560-0310	1	
5	Wiring Harness (main)	74504-9059	1	23	Acorn Nut	0801-0218	2	REPLACEMENT CHARGERS			
6	Front Wheel	73237-2469	2	24	Footpeg	77440-2159	2	CHARGEURS DE RECHARGE			
7	.354 Cap Nut	0801-0251	8	25	1-1/4" Shoulder Bolt	0801-0304	2	ERSATZAUFLADUNGSGERATE			
8	Wheel Bushing	78560-2679	4	26	Footpeg Support	74504-2129	1	CARGADORES DE REPUESTO			
9	Microphone	74550-9479	1	27	False Motor Set	80021-0027	1	Charger, 6V-220V-50Hz-CT (NLA)	80004-0125	1	
10	Body	77440-2109	1	28	5/16" Washer	0801-0253	2	Charger, 6V-240V-50Hz-UK (NLA)	80004-0126	1	
11	Grill (NLA)	80065-0032	1	29	Steering Linkage	74504-4219	1	Charger, 6V-120V-60Hz-CM	0801-0243	1	
12	Bushing w/o Extension	74504-2549	2	30	Steering Column	80054-0046	1	Charger, S6V-240V-50Hz-AS	0801-0238	1	
13	Handgrips	73560-2129	2	31	#5 Gearbox Only	72629-9259	1	Charger, 6V-220V-50Hz-UK (NLA)	80004-0157	1	
14	Handlebar/Switch Assm. (NLA)	80029-0019	1	32	Motor Drive Gear	74504-2259	1	NLA = No Longer Available			
15	Battery Retainer	74504-4429	1	33	Star Washer	0801-0330	2				
16	#8 x 7/8" Trusshead Screw	0801-0228	2	34	Motor Bolt	0801-0269	2				
17	Front Axle	74504-4509	2	35	Front Post Bushing (NLA)	80009-0050	2				
18	Motor w/Pinion	74590-9539	1	36	D Lock Washer	0801-0329	1				

Bolded and underline parts are for service center orders