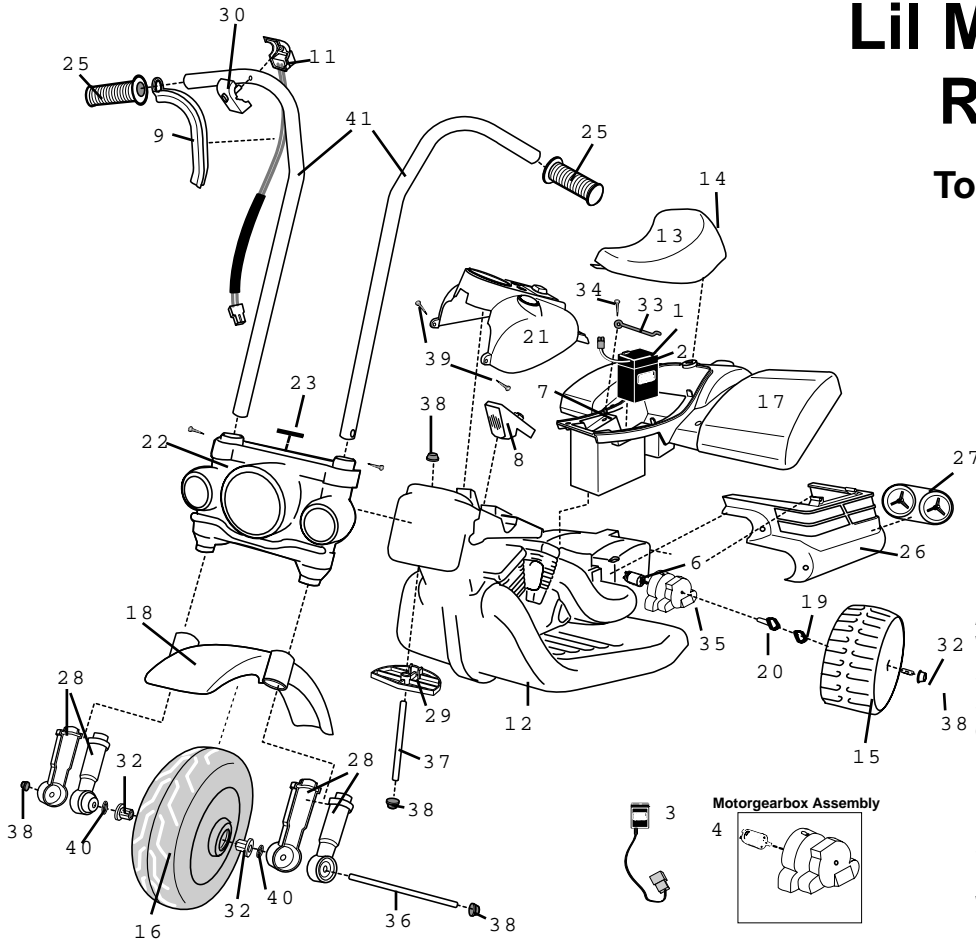




B1503-9993 Harley Davidson Lil Motorcycle Ride On

Toddler Series
6 Volt



Age Range: 12-36 mo
 Weight Limit: 40 lbs /18 kgs
 Surfaces: Hard and Grass
 Speed: 2 mph
 Colors: Red body, silver trim and Flame Decals
 Intro: 2002
 Suggested Retail: \$99.99
 Box Dimensions: 27x27x14 inches
 Warranty: One Year Vehicle
 6 Months Battery

Rev. 10-29-02 Pav

Item No.	Description	Part No.	Qty.	Item No.	Description	Part No.	Qty.	Item No.	Description	Part No.	Qty.
Working / Electrical Parts								Parts Not Shown			
1	Battery 4amp Blue	0801-0336	1	26	Saddle Bag set	4000-0191	1		Large Parts Bag N/A	74230-9039	1
2	Fuse 25amp	0801-0151	1	27	Exhaust Cap	74230-2239	2		Small Parts Bag	74230-9139	1
3	Charger 4 Amp	00801-0976	1	28	Shock set	4000-0190	2		Hardware Bag	74230-9269	1
4	<u>#10 Motor Gearbox Assembly</u>	<u>00968-3900</u>	1	29	Steering Stop	74230-2359	1		Owner's Manual	B1503-0920	1
6	<u>Motor Pinion Assembly</u>	<u>00968-3700</u>	1	30	Switch Cover Rear	74230-2339	1		Decal Sheet Main With Flames	B1503-0310	1
7	<u>Main Harness Assembly</u>	<u>73560-9799</u>	1	32	Wheel Bushing with ext	00801-0981	2		Decal Sheet Small With Headlights	B1503-0320	1
8	Sound Box	74290-9559	1	Hardware / Metal Parts							
9	Wire Cover	74230-2349	1	33	Battery Retainer (Black)	74230-4129	1				
11	Switch Assm	74230-9329	1	34	Truss Screw	0801-0228	1				
Plastic / Other Parts				35	Rear axle	74230-4519	1				
12	Body	N/A	1	36	Front axle	74230-4509	1				
13	Seat with lock	74230-9309	1	37	Fork Axle	74230-4569	1				
14	Lock Fastener	78570-2439	1	38	.354 Retainer (black)	0801-0604	7				
15	Wheel, rear	74230-2159	2	39	#8 x 0.75 Screw	0912-8001	31				
16	Wheel, front	74230-2169	1	40	5/16 washer	0801-0253	2				
17	Rear Fender	B1503-2129	1	41	Handlebar Assm (Left & right)	74230-9029	1				
18	Front Fender	B1503-2139	1								
19	Bushing, Rect., no ext	76920-2549	1								
20	Bushing, Round	76920-2659	1								
21	Gas tank	B1503-2179	1								
22	Headlight	74230-9189	1								
23	PW Emblem	74460-9069	1								
25	Handgrip Left	74290-2399	2								
	(Left handgrip is also used on right side.)										

N/A = Not Available

Items in **bold & underlined** print are only to be ordered by a service center.